



Chamber-Absorption Silencers

D32 D32H

Application

Blower Discharge Silencer for standard silencing at blower speeds above transition speed.

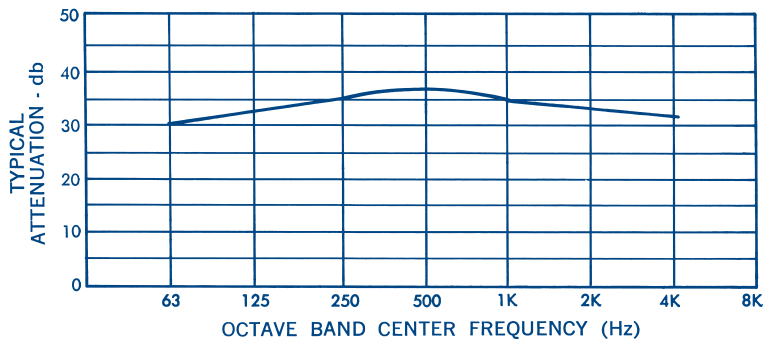
Design

A multi-chamber silencer containing a high frequency absorption device in addition to a special arrangement of volumes and air passageways to effectively reduce both pulsations and excessive high frequencies through the process of converting noise energy into heat. D32 and D32H Silencers may be installed horizontally or vertically. Design parameters permit nozzle orientation to suit installation requirements.

Construction

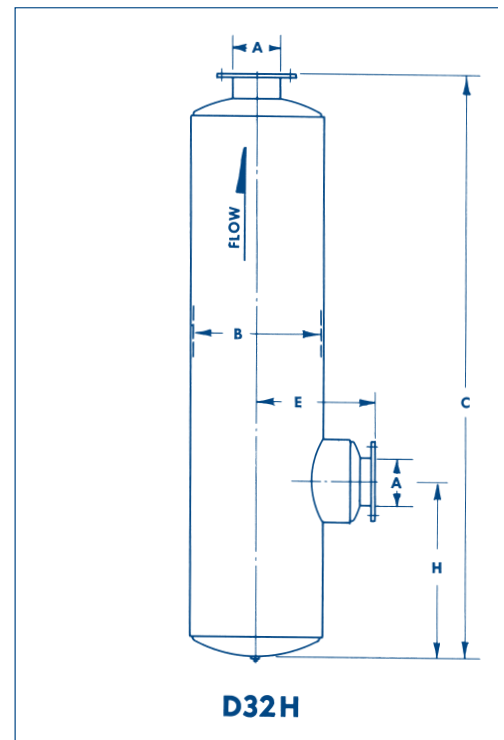
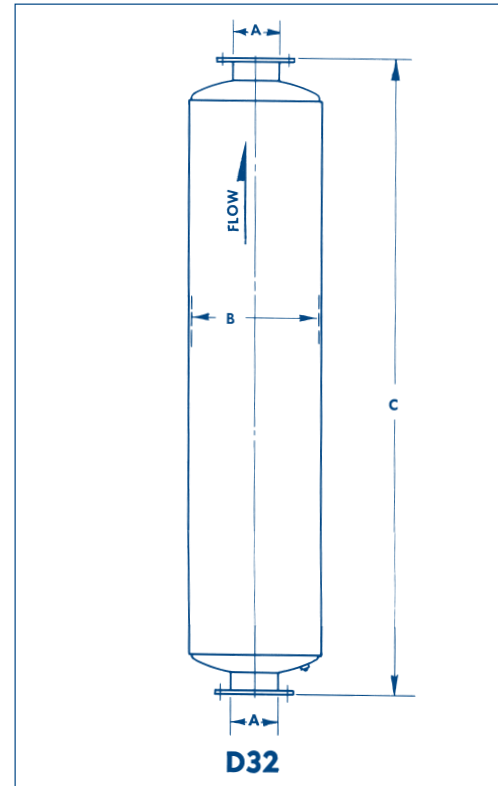
All welded steel sheet and plate construction for long service life. Acoustic absorption material temperature limits far exceed application temperatures. Exterior surfaces are prime coated. Flanges are drilled to match 125 lb. American Standard Flanges. Inspection openings, mounting brackets, relief valve nozzles or special paint are available at extra charge.

Typical Attenuation Curve



Model	A	B	C	Wt.
D32-4	4	10	45	70
D32-5	5	12	57½	100
D32-6	6	14	64	145
D32-8	8	18	72	240
D32-10	10	22	85	380
D32-12	12	26	98	550
D32-14	14	30	124	848
D32-16	16	46	138	1310
D32-18	18	42	151	1640
D32-20	20	42	175	1928
D32-22	22	48	195	3000
D32-24	24	54	214	3712

Model	A	B	C	E	H		Wt.
					Min.	Max.	
D32H-4	4	10	42	12½	7½	16½	75
D32H-5	5	12	55	15½	9	23	115
D32H-6	6	16	61½	17	9	25½	160
D32H-8	8	18	69	21½	12	30½	250
D32H-10	10	22	82	25½	13½	34	410
D32H-12	12	26	95½	29½	15	39½	580
D32H-14	14	30	121	42	17	34	875
D32H-16	16	36	135	47	19	34	1250
D32H-18	18	42	148	53	21	36	1650
D32H-20	20	42	172	56	22	46	2000
D32H-22	22	48	192	66	24	54	3050
D32H-24	24	54	211	69	26	66	3750





Chamber-Absorption Silencers

D32T

Application

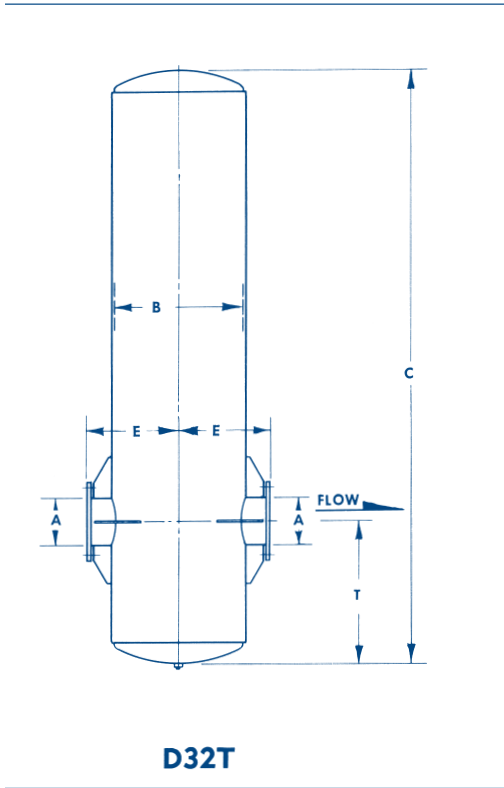
Blower Discharge Silencer for standard silencing at blower speeds above transition speed.

Design

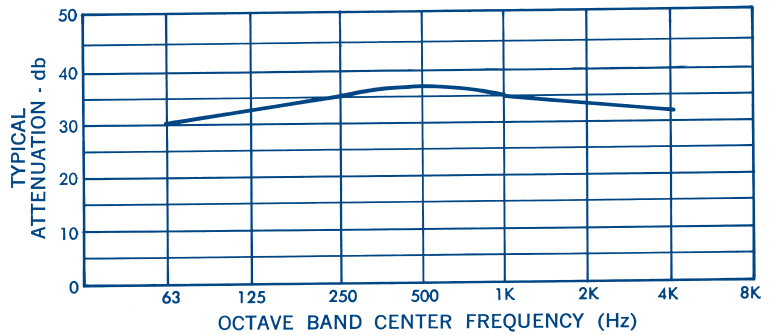
A multi-chamber silencer containing a high frequency absorption device in addition to a special arrangement of volumes and air passageways to effectively reduce both pulsations and excessive high frequencies through the process of converting noise energy into heat. D32T Silencers are normally installed vertically. Design parameters permit nozzle orientation to suit installation requirements.

Construction

All welded steel sheet and plate construction for long service life. Acoustic absorption material temperature limits far exceed application temperatures. Exterior surfaces are prime coated. Flanges are drilled to match 125 lb. American Standard Flanges. Inspection openings, mounting brackets, relief valve nozzles or special paint are available at extra charge.



Typical Attenuation Curve



Model	A	B	C	E	T		Wt.
					Min.	Max.	
D32T-8	8	22	73	15	10	16	401
D32T-10	10	26	87	17	12	20	585
D32T-12	12	30	106	19	13	26	980
D32T-14	14	36	120	22	15	30	1300
D32T-16	16	42	134	25	17	34	1799
D32T-18	18	48	147	28	19	38	2540
D32T-20	20	48	171	28	20	40	2898
D32T-22	22	54	185	31	22	44	3444
D32T-24	24	54	203	31	24	48	3978

